

ELKOM[®]



The Leading Producer of Bushing
Finwall, Tanks and Accessories for
Transformer Manufacturers



ABOUT US

From its humble beginning in 1993, ELKOM® has progressed and developed into a global brand.

Our brand is synonymous with top-notch quality, and our facility produces a wide range of products, from producing transformer accessories such as corrugated finwalls, transformer tanks, bushings, tap changers, and other transformer accessories.

ELKOM® then diversifies into the brass business by producing precision brass components, brass billets and brass ingots.

With an acute management team, our founder, Mr. Simon Yee, has led the company to achieve many successes, including custom building and developing key machinery in-house and obtaining international accreditations and a string of ISO 9001:2015 for Quality Management System Standards.



ELKOM® has made its mark and has stamped its footprint on every continent, and it will continue to spearhead and lead the industry in the international market. ELKOM® currently exports to more than 20 countries worldwide.

Regarding the growing importance of environmental sustainability, ELKOM® has installed a 1 MVA capacity solar system above the factory roof to support renewable energy in 2024. Nevertheless, ELKOM® shall commit to sustainability in the management and company culture.

Forging



Brazing



CNC Machining



FACILITIES

ELKOM's operations are housed in a 28,000 square meter factory complex. Highly skilled personnel and our experienced team are on the floor to operate and manage the different machines and facility to ensure a smooth and efficient process is accomplished in every step of the production.



Gaskets Cutting



Laser Cutting



Robot Welding



Finwall Folding Machine



Plastic Injection



Router Machining



OUR MISSION

To attain tri-party efficiency and high-performance achievements.

Providing the most conducive working environment and superior benefits for employees.

Upholding business ethics and being environmentally conscious to foster long-term business relationships with our suppliers and customers.

OUR VALUES

At ELKOM®, we are committed to upholding the highest standards of ethics and promoting sustainability.

We take responsibility. We respect all and we are determined to deliver and meet the needs of all our stakeholders, from internal to external, including the environment.

QUALITY

Quality is the key priority and focus of ELKOM®. From the factory complex to manufacturing process and every product produced at our facility, we strive and work towards achieving the highest quality.



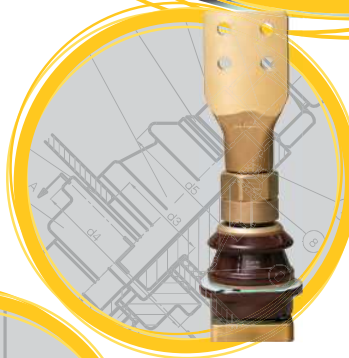
PORCELAIN BUSHINGS

Quality is the key priority and focus of ELKOM®. From the factory complex to manufacturing process and every product produced at our facility, we strive and work towards achieving the highest quality.

Our porcelain bushings are produced according to DIN, EN, BS, and IRAM standards

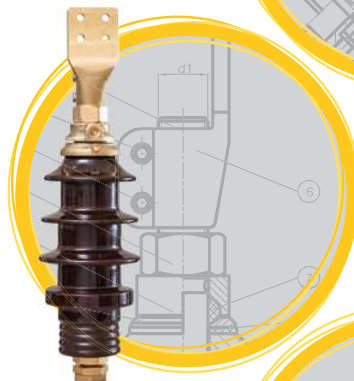


Scan the QR Code
to find out more
Porcelain Bushing



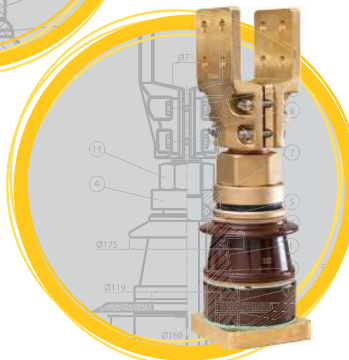
DIN Bushing

Standards : 42530, 42539
Voltage : 1kV – 3kV
Ratings : 250A to 3150A



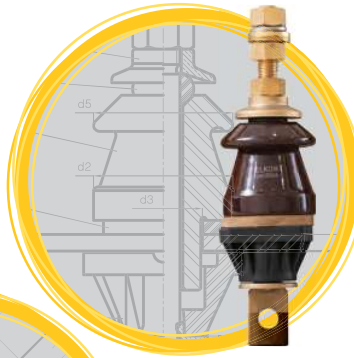
DIN Bushing

Standards : 42531, 42532,
42533, 42534
Voltage : 12kV – 52kV
Ratings : 250A to 4500A



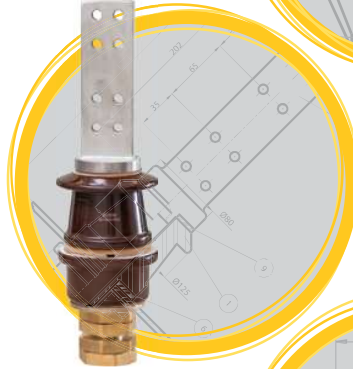
4500A – 6500A Bushing

Standards : Elkom Design
Voltage : 1kV – 3kV
Ratings : 4500A to 6500A



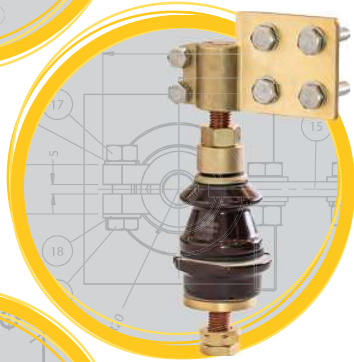
EN Bushing

Standards : EN 50386
Voltage : 1kV
Current : 250A to 4500A



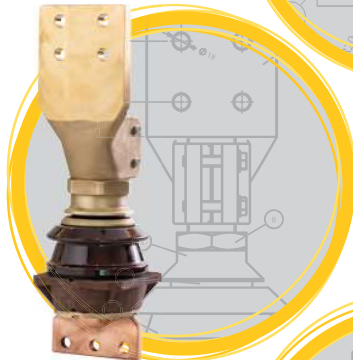
LV BS Bushing

Standards : Elkom Design
Voltage : 1kV – 3kV
Ratings : 850A, 1600A,
2500A



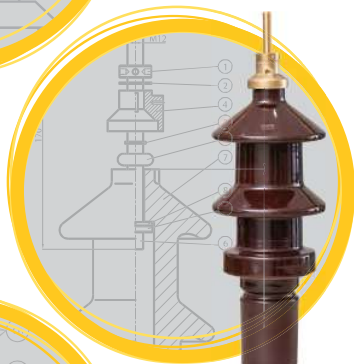
250A – 630A Bushings

Standards : Thailand Design
Voltage : 1kV
Ratings : 250A to 630A



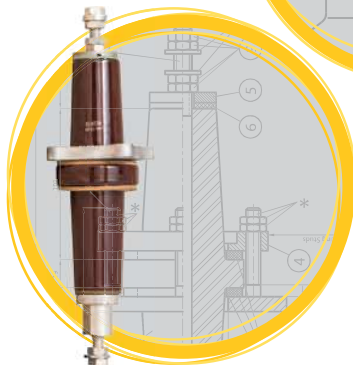
2000A – 4500A Bushings

Standards : Elkom Design
Voltage : 1kV
Ratings : 2000A to 4500A



IRAM Bushing

Standard : IRAM 2250
Voltage (LV) : 1kV
Ratings (LV) : 250A – 3150A
Voltage (HV) : 15kV – 38kV
Ratings (HV) : up to 250A



BS Bushing

Standards : BS 2562
Voltage : 12kV – 36kV
Ratings : 250A

FINWALLS

We customize Finwalls based on customer requirements and design.

- **Material:**
Cold rolled steel
- **Fin Thickness:**
1.0mm, 1.2mm, 1.5mm
- **Fin Width:**
400mm to 1500mm
- **Fin Height:**
50mm to 400mm
- **Fin Pitch:**
40mm to 100mm
- **Edge Bending:**
45, 90, 180 and 270 degrees
- **Embossing/Spot Welding:**
Available upon customer request
- **Stiffener Rod:**
Available upon customer request
- **Quality Control:**
Leakage control by UV light against penetrant dye



Scan the QR Code
to find out more
Finwalls



FINWALL TANK & FLATWALL TANK

We customize tanks according to customer requirements and designs. They will be subject to visual and paint thickness control as well as leakage tests under pressure based on customer specifications.



Scan the QR Code
to find out more
Finwall/Flatwall Tank



TAP CHANGERS

Our Tap Changers are made available in one and three phases applications. We can also produce for different positions and based on requirements.

Available in one and three phases applications

- Voltage up to 36 kV (BIL 200 kV)
- Current up to 63A
- Shaft length of 50, 70, 100, 130 and 150 mm
- With plastic or aluminum knob
- Number of positions: 3 to 7 positions
- Material: Bakelite & Epoxy fiberglass.



Scan the QR Code to find out more Tap Changers

BUSHING COVERS

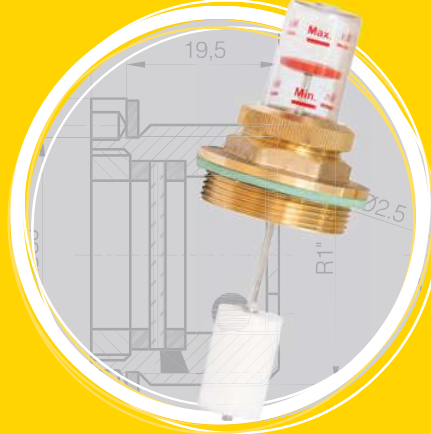


Our Bushing Covers are tested for withstanding Thermal and AC Voltage as well as resistance to Tracking and UV.



Scan the QR Code to find out more Bushing Covers

OIL LEVEL INDICATORS



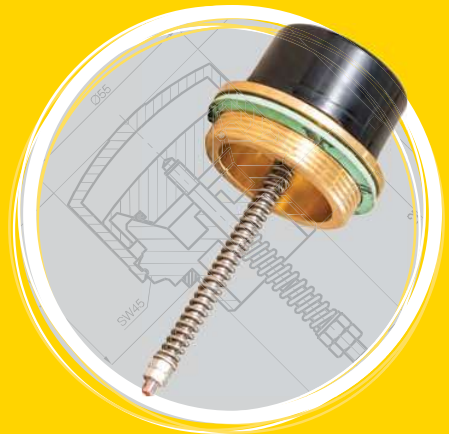
Vertical oil level indicators for hermetically sealed type transformers.

Connection Size: R1" & R2"



Scan the QR Code to find out more Oil Level Indicators

PRESSURE SAFETY VALVES

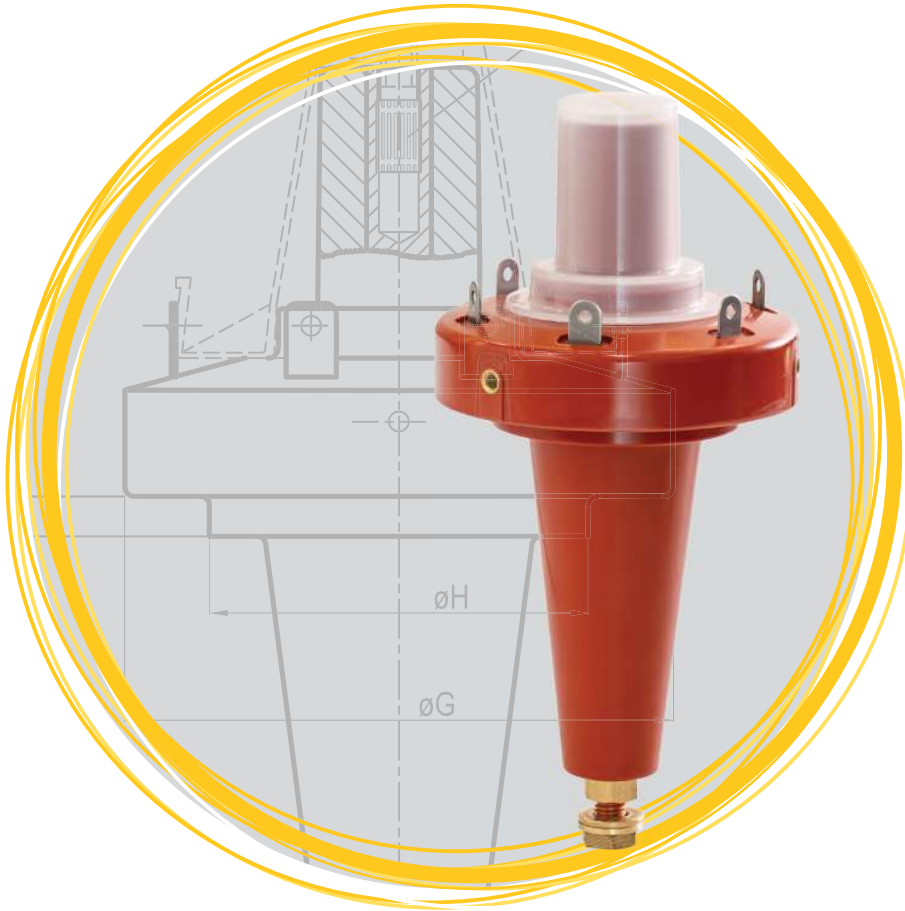


Pressure safety valves are available without contacts.

Connection Size: R1" & R2"

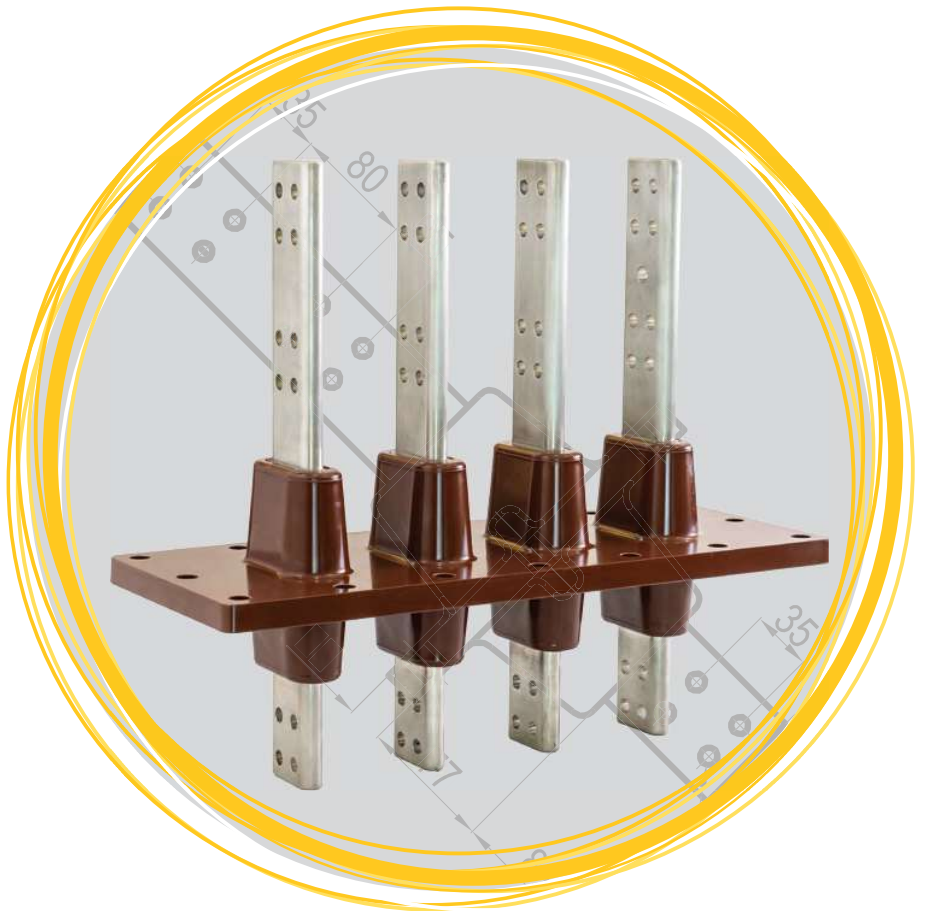


Scan the QR Code to find out more Pressure Safety Valves



PLUG-IN BUSHINGS

Standards : EN50180
Voltage : from 24kV
up to 36kV
Current : from 250A
to 630A



MONOBLOCKS

Standards : BS2562 –
EN50336
Voltage : 1.1kV
Current : from 800A
to 3000A

BRASS COMPONENTS

We have in-house Forging Machines and CNC Machining centres. We can produce various brass components, such as bolts, nuts, valves, fittings, and other shapes, through the existing facilities based on customer drawings and/or samples.



BRASS ROD

Brass is an alloy made primarily of copper and zinc. Based on the clients' composition requirements, we can fabricate in the form of rods.

WORLDWIDE CUSTOMERS

Algeria
Argentina
Australia
Cambodia
Czech Republic
Egypt
Indonesia

Kuwait
Malaysia
Myanmar
Nepal
New Zealand
Paraguay
Peru

Saudi Arabia
Singapore
Tanzania
Thailand
Türkiye
United Arab Emirates
Uruguay



ELKOM SDN BHD

Lot PT 32696,
Kawasan Perindustrian Sungai Purun,
Jalan Bangi Lama Batu 1 ½,
43500 Semenyih, Selangor, Malaysia.

Tel: +60 3 8727 1488
+60 3 8727 1489

Fax: +60 3 8727 1487

Web: www.elkom.com.my

Email: sales@elkom.com.my

